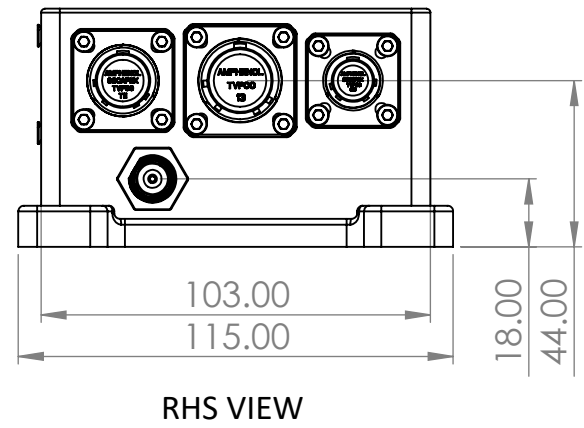
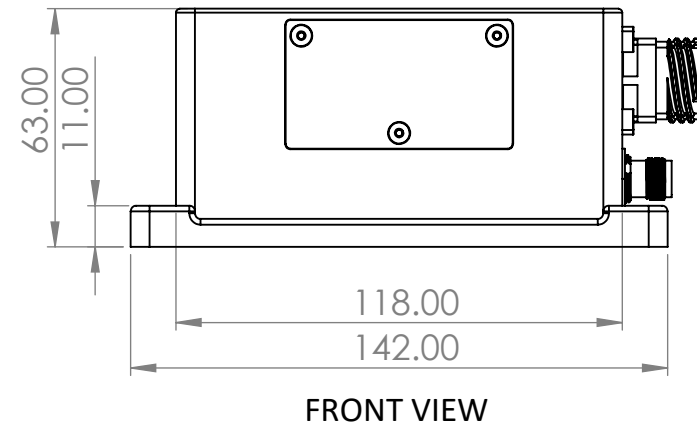
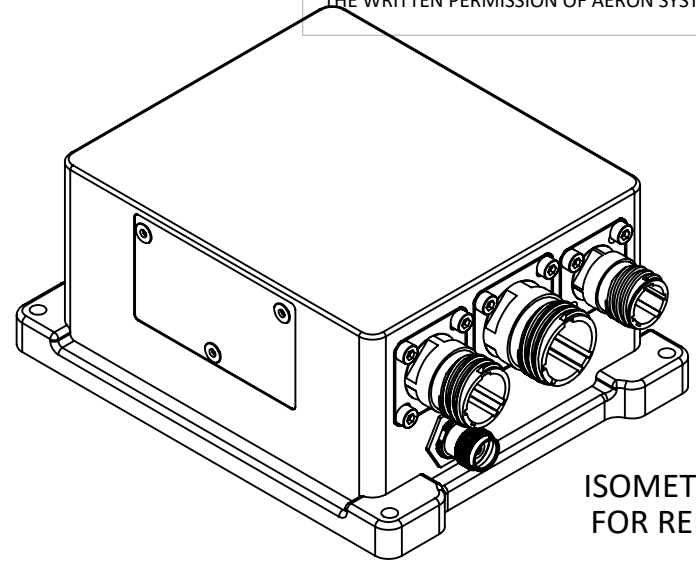
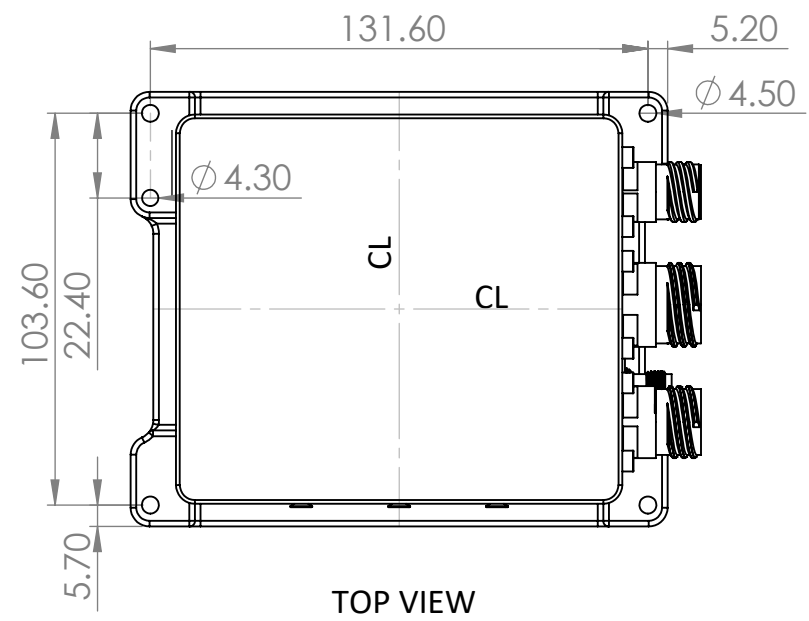


6 5 4 3 2 1

THE INFORMATION CONTAINED IN THIS DRAWING IS THE SOLE PROPERTY OF AERON SYSTEMS PVT. LTD. ANY REPRODUCTION IN PART OR WHOLE WITHOUT THE WRITTEN PERMISSION OF AERON SYSTEMS PVT. LTD. IS PROHIBITED.

CONFIDENTIAL



Third Angle Projection	DEBURR AND BREAK SHARP EDGES	STOCK SIZE: NA SURFACE COATING: HARD ANODIZING	MATERIAL: AL 6061-T6 WEIGHT: < 1KG SURFACE FINISH: NA
------------------------	------------------------------	---	---

**aeron**  
ROW HOUSE NO 9-10,  
SHROFF SOLENO,  
NEAR BALEWADI STADIUM  
MHALUNGE ROAD, MHALUNGE,  
PUNE-45, MAHARASHTRA

REVISION HISTORY			
DATE	VERSION	DESCRIPTION	AUTHOR
23/09/2020	v1.0	FIRST DRAWING ISSUE	MRP

DEVIATION FOR NON-TOLERANCED DIMENSIONS (IS : 2102 MEDIUM GRADE) DIAMETER AND LENGTH UPTO & INCL.  
6 ±0.1  
6-30 ±0.2  
30-120 ±0.3  
120-315 ±0.5

AERON SYSTEMS	DESIGN'D BY	MADHAVI PATANKAR	NAME	MADHAVI PATANKAR	SIGNATURE		TITLE:	PROD DIM
	DRAWN BY	MADHAVI PATANKAR						
	CHECKED BY	ABHIJEET MANDAVGANE						
	APPRV'D BY	ABHIJEET BOKIL						
APPROVED FOR QUOTATION		UNLESS OTHERWISE SPECIFIED: DIMENSIONS ARE IN MILLIMETERS			SCALE 1:2	SHEET 1 OF 1	REVISION : r1.3	A4

PROJECT NAME: OCT2-NS7300D-01A
DWG NO: 190210006110010

6 5 4 3 2 1