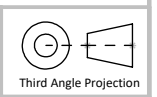
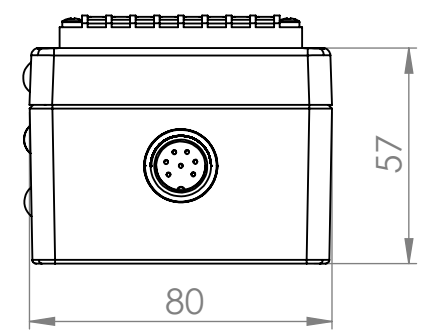
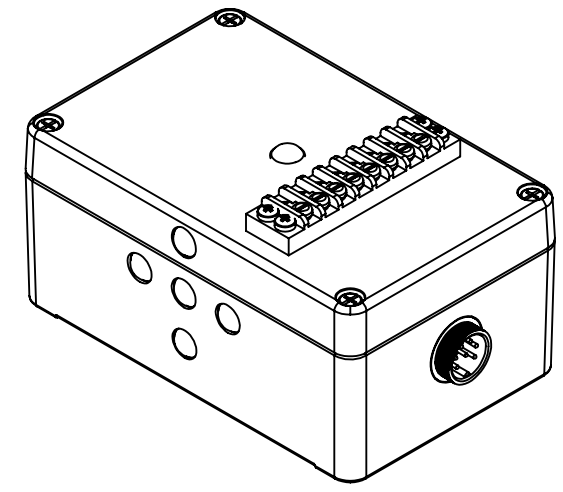
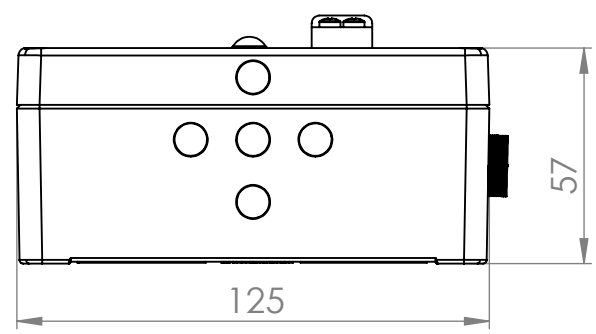
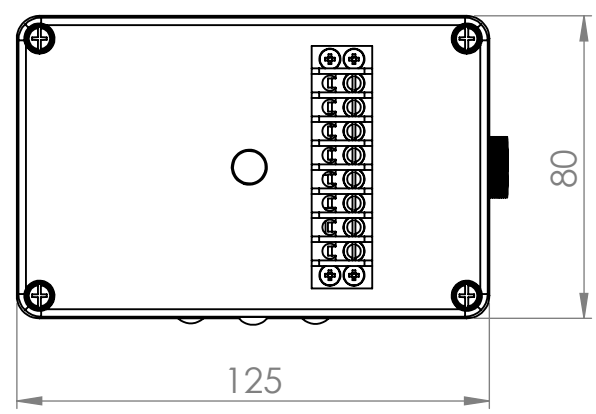
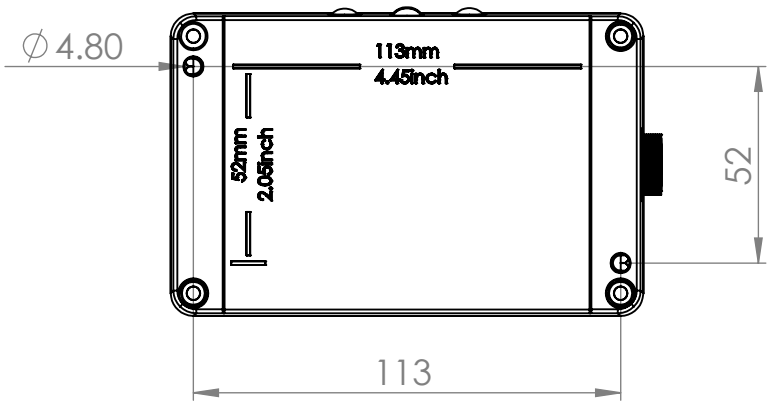


THE INFORMATION CONTAINED IN THIS DRAWING IS THE SOLE PROPERTY OF AERON SYSTEMS PVT. LTD. ANY REPRODUCTION IN PART OR WHOLE WITHOUT THE WRITTEN PERMISSION OF AERON SYSTEMS PVT. LTD. IS PROHIBITED.



**aeron**  
 AERON SYSTEMS PVT. LTD.  
 ROW HOUSE NO 9-10,  
 SHROFF SOLENO,  
 NEAR BALEWADI STADIUM  
 MHALUNGE ROAD, MHALUNGE,  
 PUNE-45, MAHARASHTRA

REVISION HISTORY			
DATE	VERSION	DESCRIPTION	AUTHOR
08/01/2019	v1.0	FIRST DRAWING ISSUE	MRP

DEVIATION FOR NON-TOLERANCED DIMENSIONS (IS : 2102 MEDIUM GRADE) DIAMETER AND LENGTH UPTO & INCL.  
 6 ±0.1  
 6-30 ±0.2  
 30-120 ±0.3  
 120-315 ±0.5

AERON SYSTEMS	DESIGN'D BY	NAME	SIGNATURE
	DRAWN BY	MADHAVI PATANKAR	
	CHECKED BY	MADHAVI PATANKAR	
	APPRV'D BY	PRASAD SAKAT	
		ABHIJEET BOKIL	

TITLE:	VEGA TSW- PROD DIM		
DWG NO:	1400606110004		
SCALE	1:2	SHEET	1 OF 1
REVISION	: r1.0		A4

UNLESS OTHERWISE SPECIFIED: DIMENSIONS ARE IN MILLIMETERS