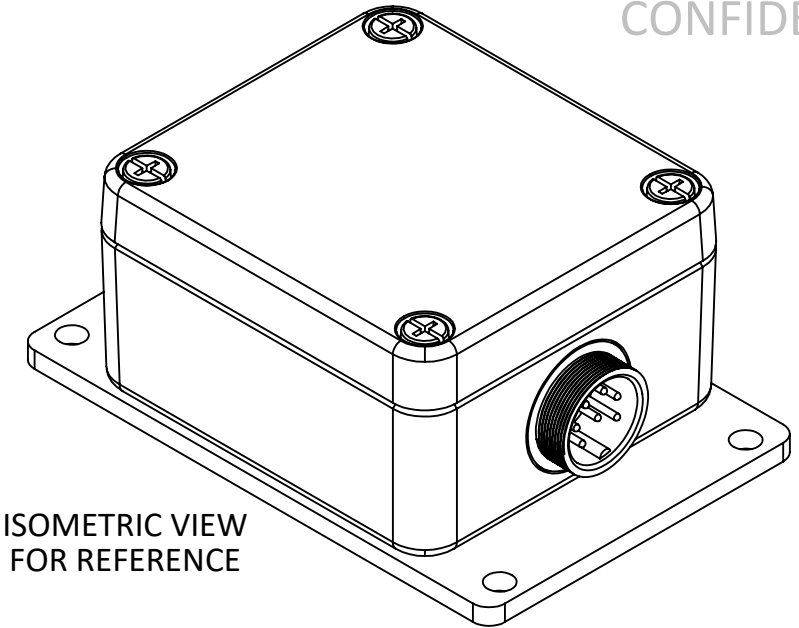
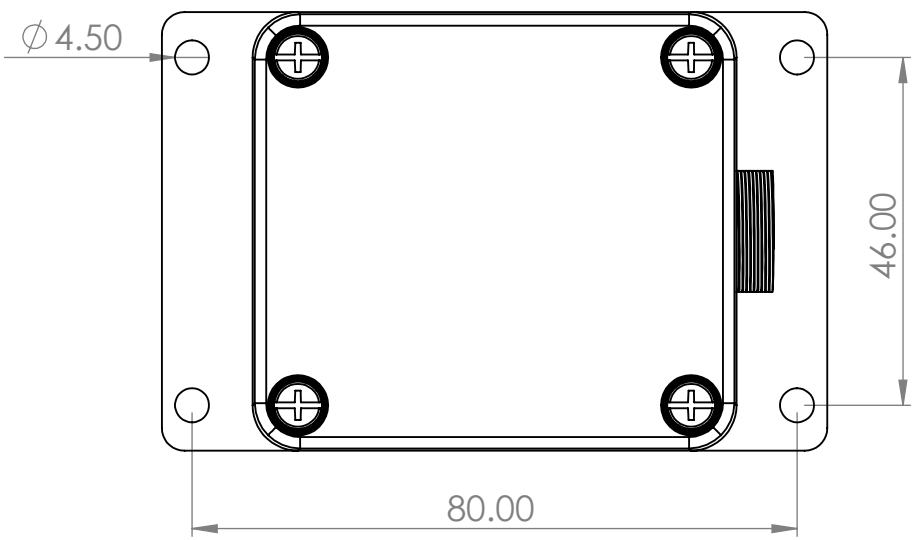
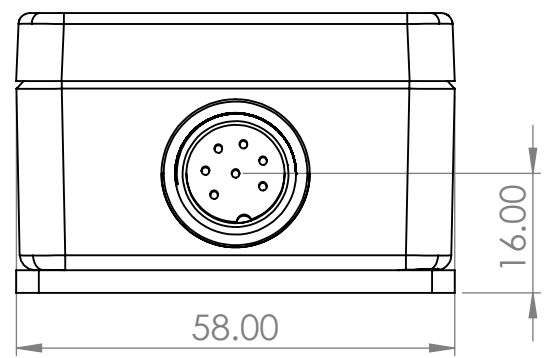
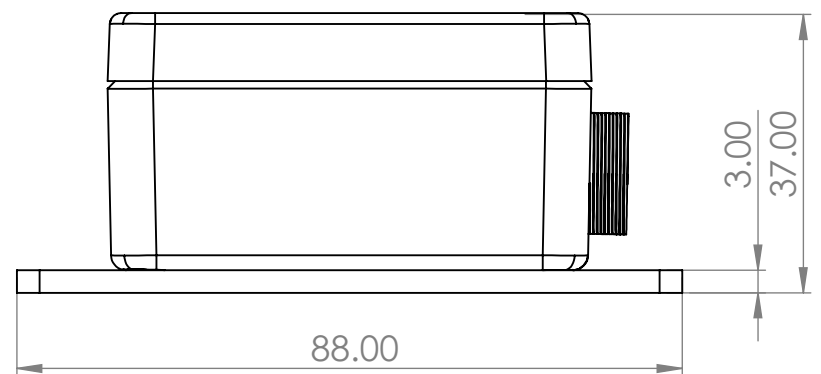


THE INFORMATION CONTAINED IN THIS DRAWING IS THE SOLE PROPERTY OF AERON SYSTEMS PVT. LTD. ANY REPRODUCTION IN PART OR WHOLE WITHOUT THE WRITTEN PERMISSION OF AERON SYSTEMS PVT. LTD. IS PROHIBITED.

CONFIDENTIAL



ISOMETRIC VIEW FOR REFERENCE



	DEBURR AND BREAK SHARP EDGES	STOCK SIZE: NA SURFACE COATING: SILVER GREY POWDER COATED	MATERIAL: DIN EN 1706 EN AC-AISI 12 (Fe) WEIGHT: <300 gm SURFACE FINISH: NA
--	------------------------------	---	---

aeron
ROW HOUSE NO 9-10,
SHROFF SOLENO,
NEAR BALEWADI STADIUM
MHALUNGE ROAD, MHALUNGE,
PUNE-45, MAHARASHTRA

REVISION HISTORY			
DATE	VERSION	DESCRIPTION	AUTHOR
14/11/2019	v1.0	FIRST DRAWING ISSUE	MRP

DEVIATION FOR NON-TOLERANCED DIMENSIONS (IS : 2102 MEDIUM GRADE) DIAMETER AND LENGTH UPTO & INCL.
6 ±0.1
6-30 ±0.2
30-120 ±0.3
120-315 ±0.5

AERON SYSTEMS	DESIGN'D BY	NAME	SIGNATURE	TITLE: PROD DIM
	DRAWN BY	MADHAVI PATANKAR		
	CHECKED BY	MADHAVI PATANKAR		
	APPRV'D BY	ABHIJEET BOKIL		

PROJECT NAME: VEGA-TS2D	DWG NO: 14001000611004	SCALE 1:1	SHEET 1 OF 1	REVISION : r1.2	A4
-------------------------	------------------------	-----------	--------------	-----------------	----

APPROVED FOR QUOTATION UNLESS OTHERWISE SPECIFIED: DIMENSIONS ARE IN MILLIMETERS