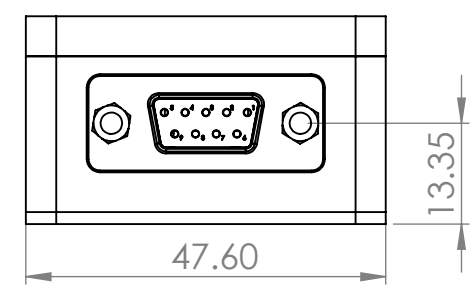
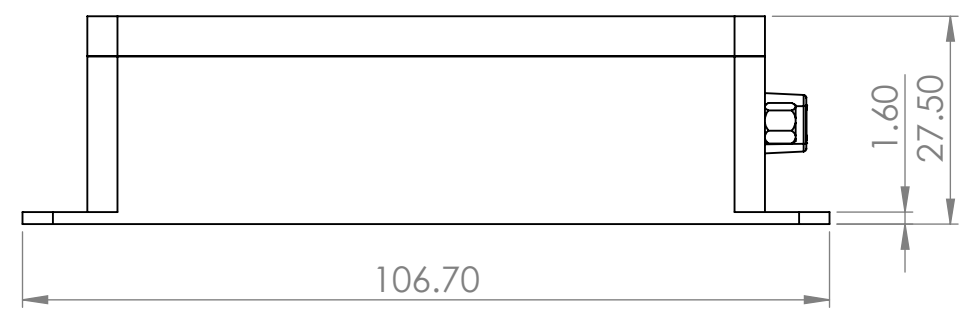
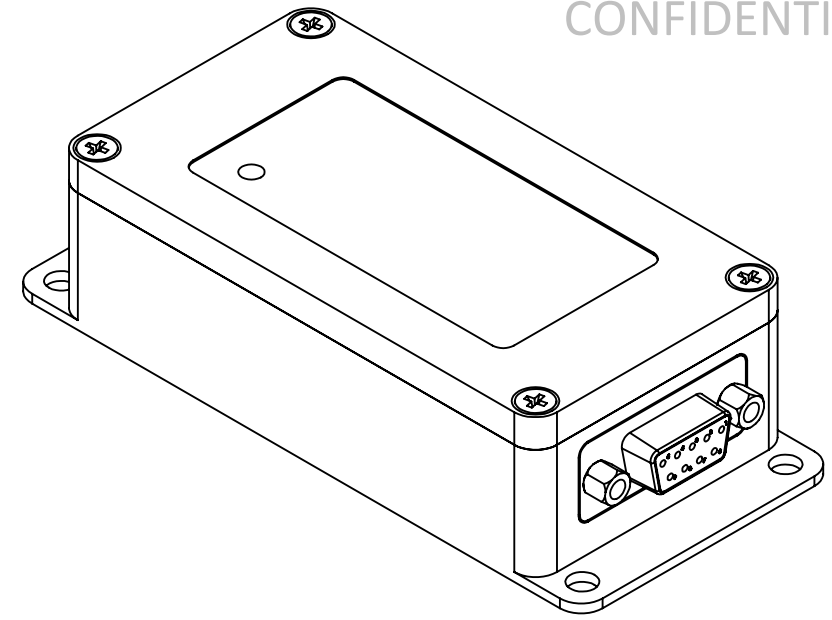
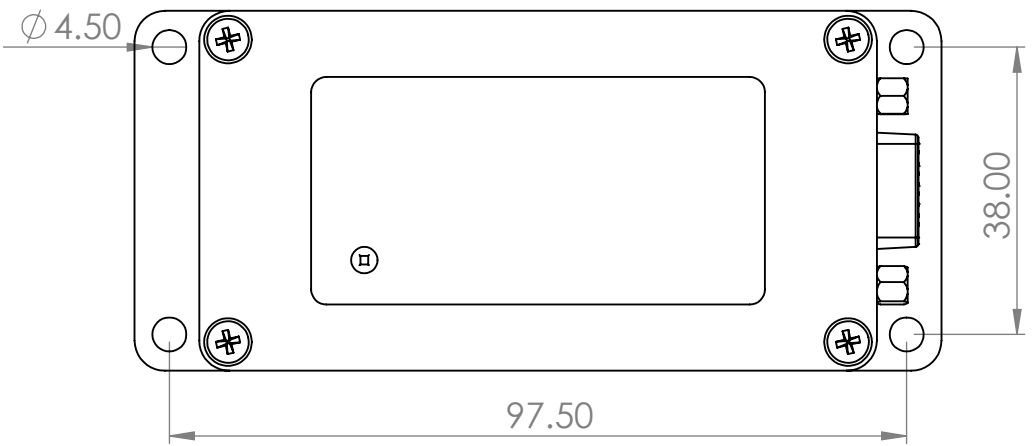


THE INFORMATION CONTAINED IN THIS DRAWING IS THE SOLE PROPERTY OF AERON SYSTEMS PVT. LTD. ANY REPRODUCTION IN PART OR WHOLE WITHOUT THE WRITTEN PERMISSION OF AERON SYSTEMS PVT. LTD. IS PROHIBITED.

CONFIDENTIAL



	DEBURR AND BREAK SHARP EDGES	STOCK SIZE: NA SURFACE COATING: HARD ANODIZING	MATERIAL: AI 6082 WEIGHT: <400 gm SURFACE FINISH: NA
--	------------------------------	---	--

aeron
AERON SYSTEMS PVT. LTD.
ROW HOUSE NO 9-10,
SHROFF SOLENO,
NEAR BALEWADI STADIUM
MHALUNGE ROAD, MHALUNGE,
PUNE-45, MAHARASHTRA

REVISION HISTORY			
DATE	VERSION	DESCRIPTION	AUTHOR
08/07/2020	v1.0	FIRST DRAWING ISSUE	MRP

DEVIATION FOR NON-TOLERANCED DIMENSIONS (IS : 2102 MEDIUM GRADE) DIAMETER AND LENGTH UPTO & INCL.
6 ±0.1
6-30 ±0.2
30-120 ±0.3
120-315 ±0.5

AERON SYSTEMS	DESIGN'D BY	NAME	SIGNATURE	TITLE: PROD DIM
	DRAWN BY	MADHAVI PATANKAR		
	CHECKED BY	ABHIJEET MANDAVGANE		
	APPR'D BY	ABHIJEET BOKIL		

PROJECT NAME: GLO-DMC300	DWG NO: 130010006110010
APPROVED FOR QUOTATION	UNLESS OTHERWISE SPECIFIED: DIMENSIONS ARE IN MILLIMETERS
SCALE 1:1	SHEET 1 OF 1
REVISION : r1.5	A4